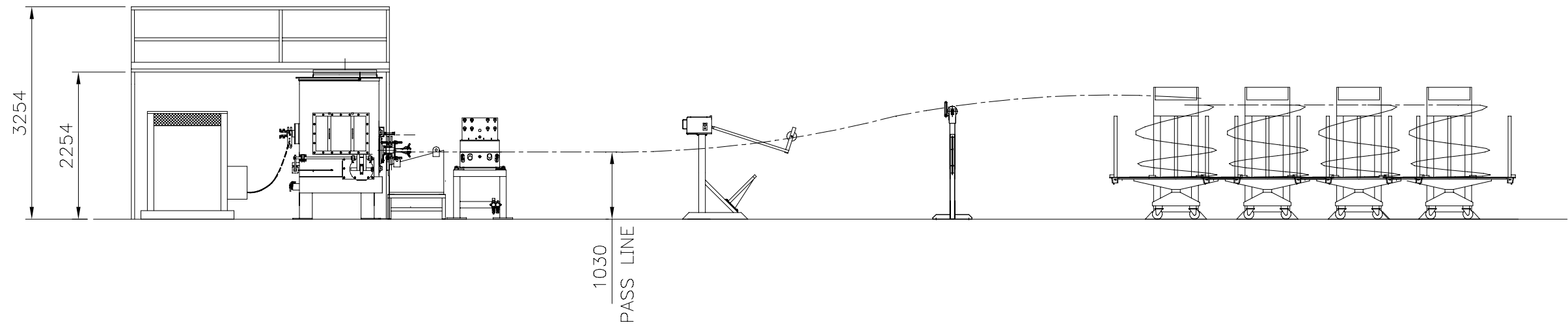
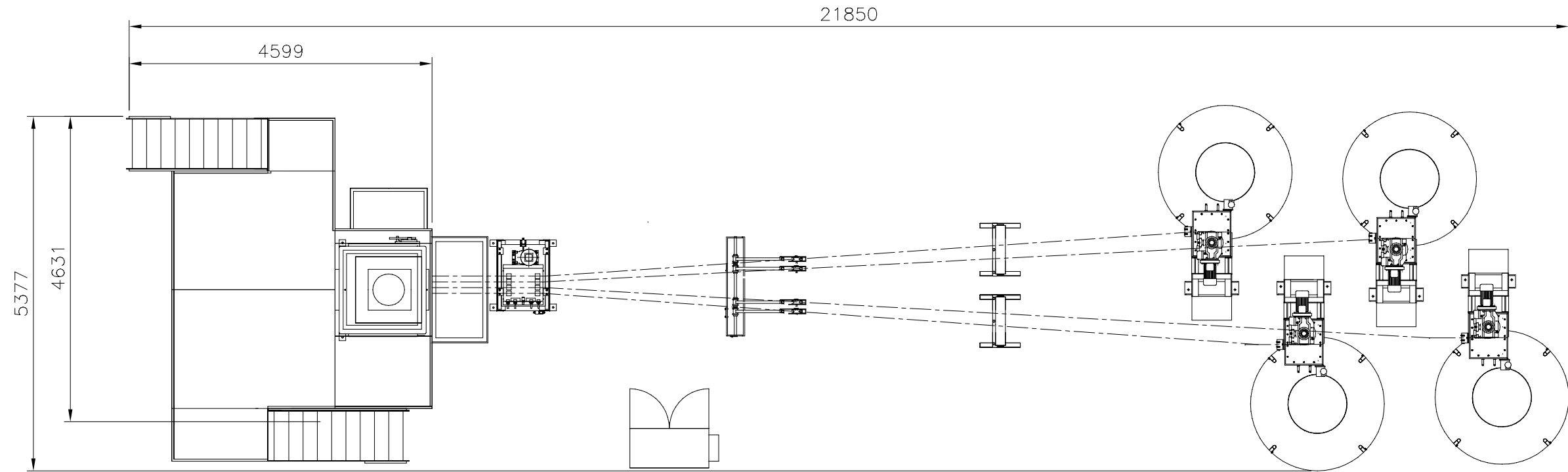


SL-850-20

3rd ANGLE PROJECTION 

DO NOT SCALE : WHEN IN DOUBT ASK

ISSUE	ECN	CHANGE	DATE	BY
---	---	---	---	---



**rautomead** 

© THIS DRAWING IS THE PROPERTY OF RAUTOMEAD LIMITED. IT MUST NOT BE REPRODUCED IN ANY WAY WITHOUT PERMISSION. COPIES OF THIS DRAWING MUST BE RETURNED UPON REQUEST.

MATERIAL:   
 FINISH :   
 GENERAL TOLERANCE

WEIGHT:   
 DRAWN BY   
 DATE   
 SCALE   
 DIMENSIONS IN mm

IS   
 29.7.2008   
 1:75

RD\*\*\*\*-\*\*   
 USED ON   
 RD\*\*\*\*-\*\*   
 SIMILAR TO

TITLE   
 RT850 4 STRAND 30mm ALLOW WIRE ROD   
 CASTING LINE LAYOUT

DO NOT SCALE   
 DWG No   
 SL-850-20   
 SHEET 1 OF 1