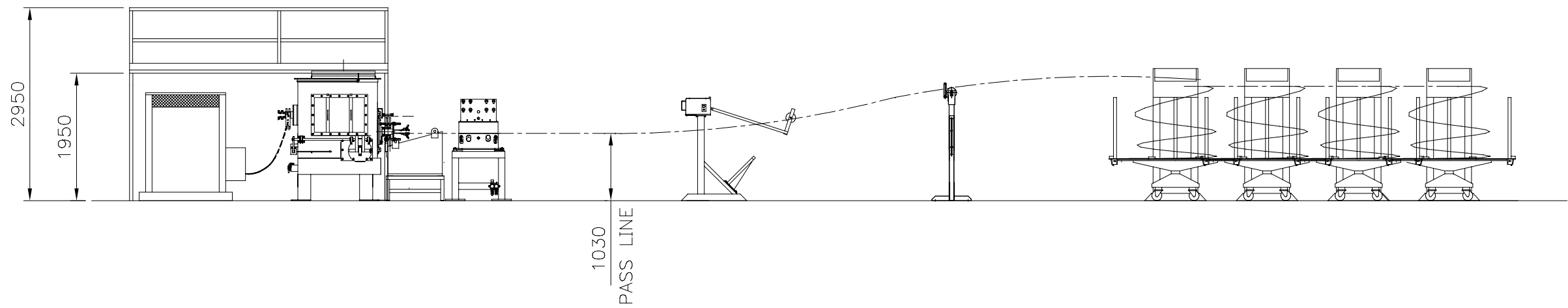
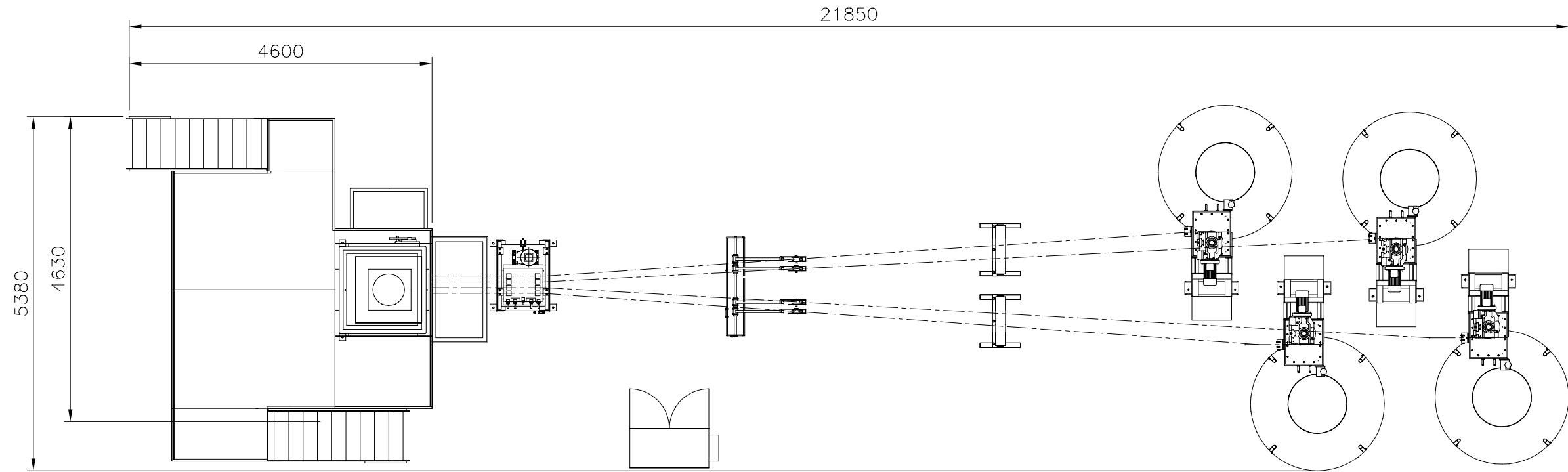


SL-650-15

3rd ANGLE PROJECTION 

DO NOT SCALE : WHEN IN DOUBT ASK

ISSUE	ECN	CHANGE	DATE	BY
---	---	---	---	---



rautomead[®]
© THIS DRAWING IS THE PROPERTY OF RAUTOMEAD LIMITED. IT MUST NOT BE REPRODUCED IN ANY WAY WITHOUT PERMISSION. COPIES OF THIS DRAWING MUST BE RETURNED UPON REQUEST.

MATERIAL:	WEIGHT:	DRAWN BY	IS	RD****-**	RD****-**
FINISH :		DATE	29.7.2008		
GENERAL TOLERANCE		SCALE	1:75		
		DIMENSIONS IN mm		USED ON	SIMILAR TO

TITLE RT650 4 STRAND 30mm ALLOW WIRE ROD
 CASTING LINE LAYOUT

DO NOT SCALE
 DWG No SL-650-15
 SHEET 1 OF 1