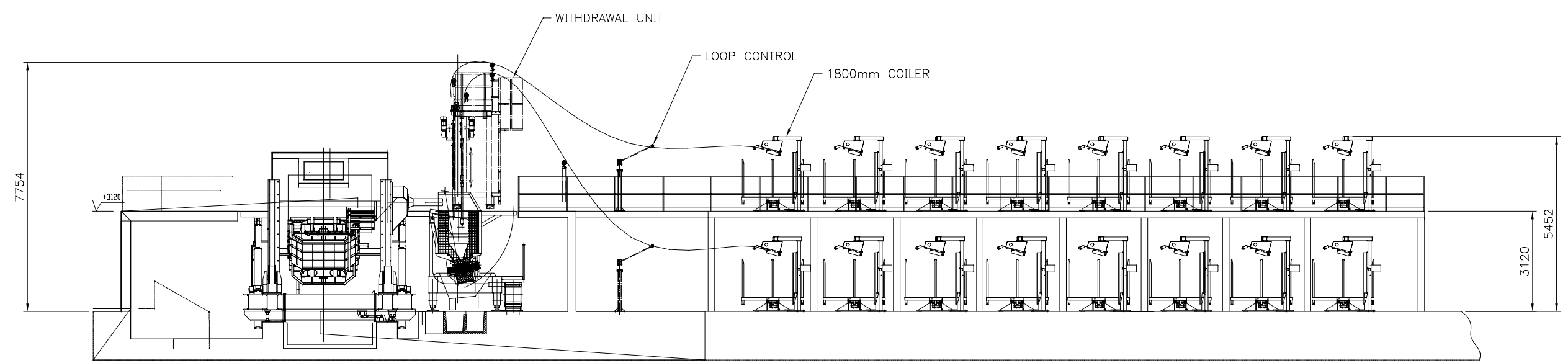
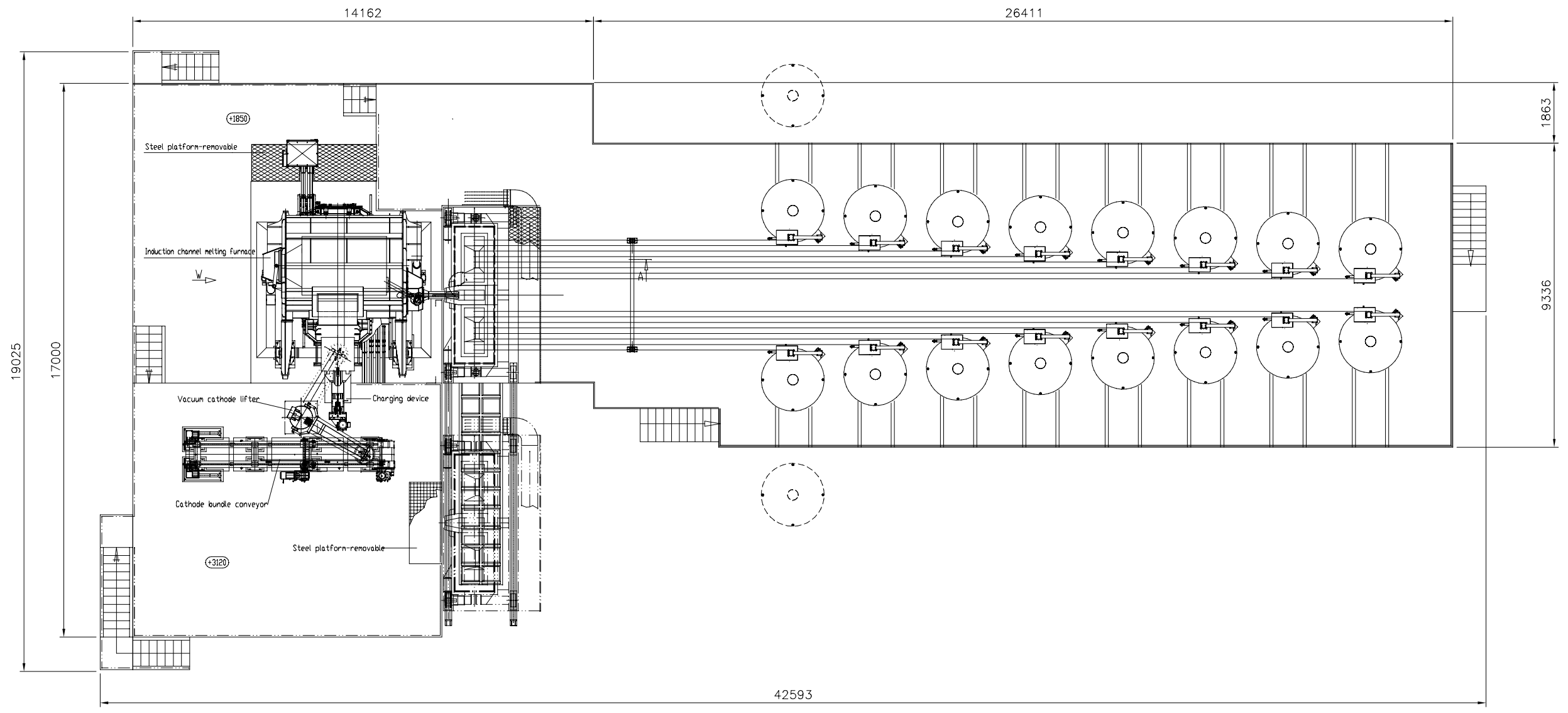


ISSUE	NO	DATE	BY



NOTE:
1. FURNACE REFERENCE 0-B-00204A

	MATERIAL:	WEIGHT:	DRAWN BY: JS	DATE: 30.1.2007	TITLE: RDG360, 32 STRAND LAYOUT C/W CATHODE MELTING FURNACE	DO NOT SCALE DWG NO: RD16594-1 SHEET 1 OF 1
	FINISH:	GENERAL TOLERANCE:	SCALE: 1:50	RD16281-1		